



Medical

i3 ONE sterile filter



INTENDED USE & FIELDS OF APPLICATION

The i3 ONE Point-of-Use filter is used in medical settings to prevent infections and is employed where immunocompromised or immunosuppressed patients, for example in oncological, transplantation and intensive care wards as well as neonatology, need to be protected from exposure to waterborne pathogens. Use of the filter prevents possible infections, such as pneumonia, inflammation of the urinary tract, postoperative wound infections or infections of the bloodstream. These infections are caused by waterborne (gram-negative) pathogens such as *Pseudomonas aeruginosa* or *Legionella pneumophila* and can have significant adverse consequences in immunocompromised or immunosuppressed patients. The filter is used for targeted infection prevention within the meaning of Section 23 Paragraph 3 of the German Infection Protection Act [IfSG] and is employed at the tap Point-of-Use for cleansing wounds, washing patients and surgical hand washing, and is utilized where patients, users and third parties run the risk of possible exposure to opportunistic and obligate pathogens.

FEATURES

CE-marked Class I
medical device

Bacterial retention
as per ASTM F838

Sterile filtration with a nominal
pore size of 0.2 μm (microfiltration)

Duration of use: 50 days
(7 weeks)

High, stable flow rate
throughout the period of use

Protection due to the bacteriostatic
properties of the filter housing in accordance with
ISO 22196

Proven biocompatibility
to protect the user

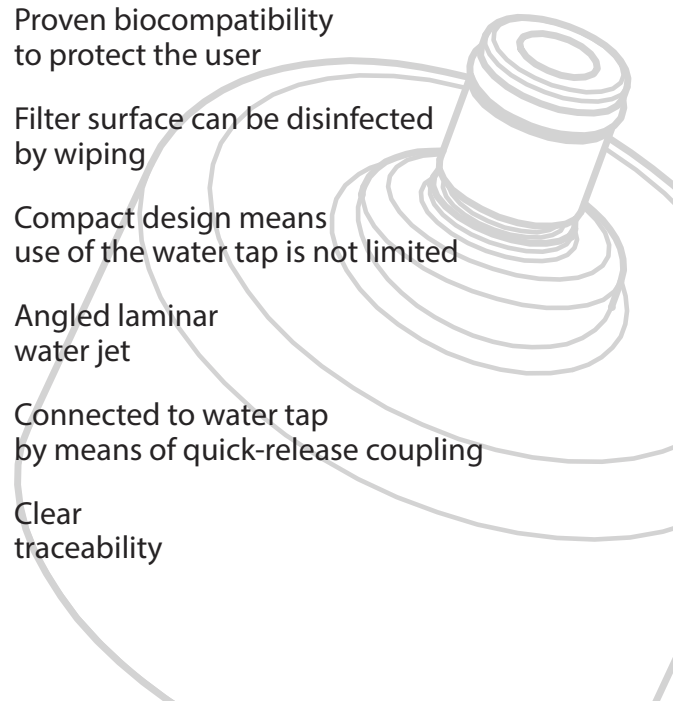
Filter surface can be disinfected
by wiping

Compact design means
use of the water tap is not limited

Angled laminar
water jet

Connected to water tap
by means of quick-release coupling

Clear
traceability





Medical

TECHNICAL SPECIFICATIONS



APPLICATIONS

Water tap



FLOW RATE

12 l/min. at 5 bar



ANTIBACTERIAL ACTIVITY

> 4 log *Pseudomonas aeruginosa*,
Escherichia coli, *Staphylococcus aureus*
in 24 hr.



DISINFECTION

Can be disinfected by wiping with
normal surface disinfectant



DURATION OF USE

50 days (7 weeks)



SHELF LIFE

5 years



MATERIAL AUTHORIZATION

Product is biocompatible
as per ISO 10993-1



ATTACHMENT

Quick-release coupling is
required for installation



AUTHORIZED FOR USE WITH DRINKING WATER

Plastics suitable for use with drinking
water as per BS 6920



BACTERIAL RETENTION

> 7 log (*Brevundimonas diminuta*) per cm²
of filter area



OPERATING TEMPERATURE

60 °C
(max 70 °C for 30 mins.)



OPERATING PRESSURE

max 5 bar



MEMBRANE

i3 high performance flat membrane



CHLORINE RESISTANCE

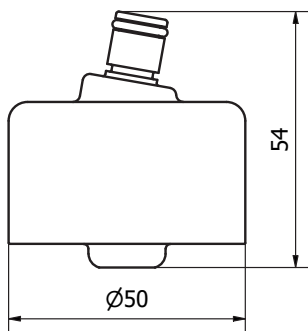
≤ 200 ppm active chlorine for 1 hour
≤ 10 ppm active chlorine for 50 days



LABELLING

Serial number / DataMatrix Code
for documentation of filter changes

DIMENSIONS (mm)



ORDER INFORMATION & ACCESSORIES



i3 ONE Sterile filter, water tap
203100 (Item no.)



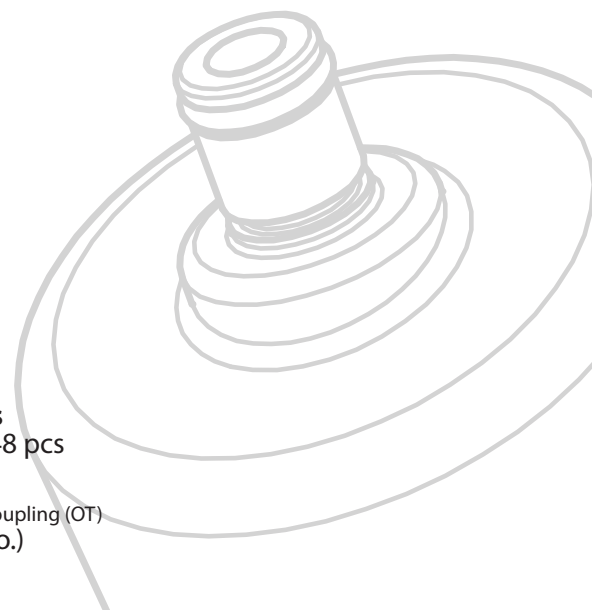
Packaging units
2 pcs / 12 pcs / 48 pcs



M22 quick-release coupling (IT)
2060000 (Item no.)



M24 quick-release coupling (OT)
2060001 (Item no.)



Certification of quality
management system as per
DIN EN ISO 13485:2016



i3 Membrane GmbH
Christoph-Seydel-Str. 1
DE-01454 Radeberg
Germany

www.i3membrane.de
info@i3membrane.de
Tel: +49 (0)40-2576748-0
Fax: +49 (0)40-2576748-48

Your Companion
Life Science Filtration